

Distributor: [Electro-Stock www.electrostock.com](http://www.electrostock.com) Tel: 630-682-1542 Fax: 630-682-1562

**FEATURES:**

- Switching capacity up to 10A
- Small size and light weight
- Low coil power consumption
- High contact load
- Strong resistance to shock and vibration



**UL** **E197851**

27.0 x 21.0 x 35.0 mm

**CONTACT DATA**

Contact Arrangement	1A, 1B, 1C = SPST N.O., SPST N.C., SPDT 2A, 2B, 2C = DPST N.O., DPST N.C., DPDT 3A, 3B, 3C = 3PST N.O., 3PST N.C., 3PDT 4A, 4B, 4C = 4PST N.O., 4PST N.C., 4PDT
Contact Rating	1, 2, & 3 Pole: 10A @ 220VAC & 28VDC 4 Pole: 5A @ 220VAC & 28VDC
Contact Resistance	< 50 milliohms initial
Contact Material	AgCdO
Maximum Switching Power	1C: 280W, 2200VA 2C: 280W, 2200VA 3C: 280W, 2200VA 4C: 140W, 1100VA
Maximum Switching Voltage	300VAC
Maximum Switching Current	10A

**DC COIL DATA**

Coil Voltage VDC		Coil Resistance $\Omega \pm 10\%$	Pick Up Voltage VDC (max)  75% of rated voltage	Release Voltage VDC (min)  10% of rated voltage	Coil Power W	Operate Time ms	Release Time ms
Rated	Max.						
6	6.6	40	4.5	0.6	.9	25	25
12	13.2	160	9.0	1.2			
24	26.4	640	18.0	2.4			
36	39.6	1500	27.0	3.6			
48	52.8	2600	36.0	4.8			
110	121.0	11000	82.5	11.0			

**AC COIL DATA**

Coil Voltage VAC		Coil Resistance $\Omega \pm 10\%$	Pick Up Voltage VAC (max)  80% of rated voltage	Release Voltage VAC (min)  30% of rated voltage	Coil Power VA	Operate Time ms	Release Time ms
Rated	Max.						
6	6.6	11.5	4.8	1.8	1.2	25	25
12	13.2	46	9.6	3.6			
24	26.4	184	19.2	7.2			
36	39.6	370	28.8	10.8			
48	52.8	735	38.4	14.4			
110	121.0	3750	88.0	33.0			
120	132.0	4,550	96.0	36.0			
220	252.0	14,400	176.0	66.0			

Distributor: **Electro-Stock** [www.electrostock.com](http://www.electrostock.com) Tel: 630-682-1542 Fax: 630-682-1562

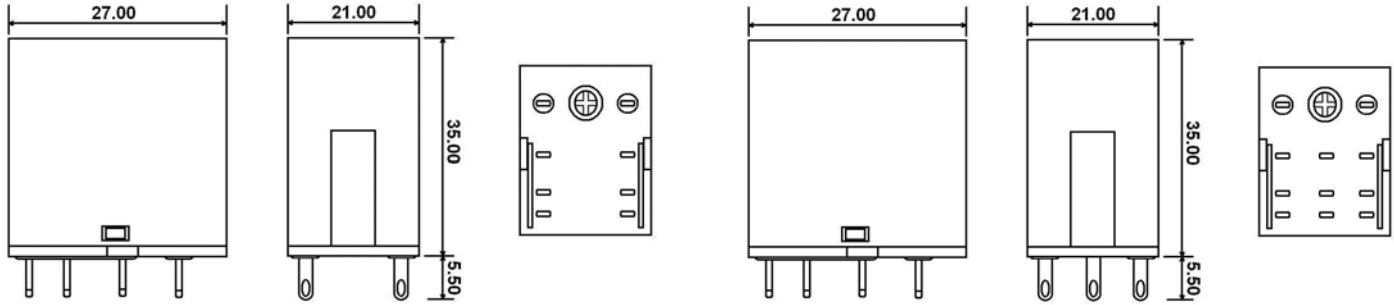
## GENERAL DATA

Electrical Life @ rated load	500K cycles (1 & 2 pole), 200K cycles (3 pole), 100K cycles (4 pole), typical
Mechanical Life	20M cycles (1 & 2 pole), 10M cycles (3 & 4 pole), typical
Insulation Resistance	100M $\Omega$ min @ 500VDC
Dielectric Strength, Coil to Contact	1500V rms min. @ sea level
Contact to Contact	1500V rms min. @ sea level
Shock Resistance	100m/s <sup>2</sup> for 11ms
Vibration Resistance	1.27mm double amplitude 10-40Hz
Terminal (Copper Alloy) Strength	10N
Operating Temperature	-40 °C to + 85 °C
Storage Temperature	-40 °C to + 155 °C
Solderability	230 °C $\pm$ 2 °C for 10 $\pm$ 0.5s
Weight	32g

## ORDERING INFORMATION

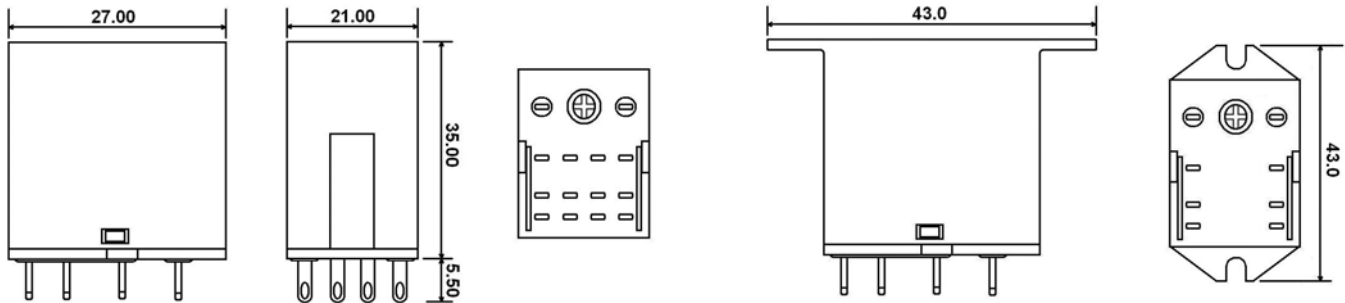
<b>1. Series:</b>	WJ152	3C	T	12VDC
<b>2. Contact Arrangement:</b>	1A, 1B, 1C			
	2A, 2B, 2C			
	3A, 3B, 3C			
	4A, 4B, 4C			
<b>3. Termination:</b>	T = Solder lugs / Plug-in			
	F = Solder Lugs / Plug-in with Flange			
	P = PC Pins			
<b>4. Coil Voltage:</b>	6VDC			
	12VDC			
	24VDC			
	36VDC			
	48VDC			
	110VDC			
	6VAC			
	12VAC			
	24VAC			
	36VAC			
	48VAC			
	110VAC			
	120VAC			
	220VAC			
<b>5. Optional LED:</b>	Blank = No Indicator LED			
	D = With Indicator LED			
<b>6. Sealing Option:</b>	Blank = Dust Cover (Standard)			
	S = Sealed			
<b>7. Gold Option:</b>	Blank = Standard contacts			
	R = Gold flash over standard contacts			
<b>8. Optional Push to Test Button:</b>	Blank = No Push to Test Button			
	T = With Push to Test Button			

## DIMENSIONS (Units = mm)



**1 & 2 POLE**

**3 POLE**



**4 POLE**

**FLANGE MOUNT**

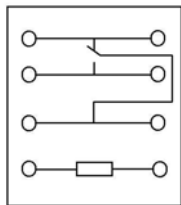
## TERMINATION OPTIONS



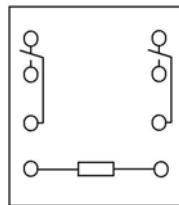
**PC PINS**

**SOLDER TABS**

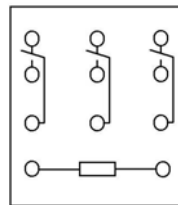
## SCHEMATICS & PC LAYOUTS (BOTTOM VIEWS)



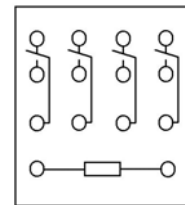
**1C**



**2C**



**3C**



**4C**

